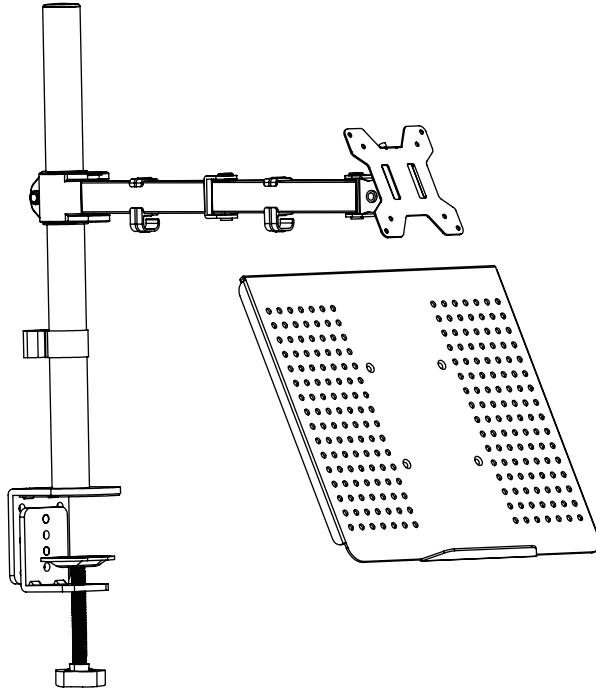


HUANUO

Laptop & Monitor Mount Instruction Manual

Rev00(A)



Model: HNCM16

Thank you for choosing this HUANUO product! At HUANUO, we strive to provide you with the best quality products and services in the industry.

Should you have any issues, please don't hesitate to contact us.

Technical Support:

(US/CA) 1-800-556-0533 Mon-Fri 8am - 8pm (CST)

(UK) 44-808-196-3874 Mon-Fri 2pm - 10pm (UTC)

Other Info:

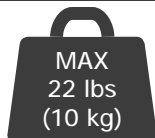
support@huanuoav.com

Website: www.huanuoav.com

IMPORTANT SAFETY INSTRUCTIONS

- Check package contents against Supplied Parts and Hardware List to assure that all components were received undamaged. Do not use damaged or defective parts. If you require replacement parts, please contact our customer service at support@huanuoav.com.
- Carefully read all instructions before attempting installation. If you do not understand the instructions or have any concerns or questions, please contact our customer service at support@huanuoav.com.
- This product may contain moving parts. Use with caution.
- Do not use this product for any purpose that is not explicitly specified in this manual. Do not exceed weight capacity. We cannot be liable for damage or injury caused by improper mounting, incorrect assembly or inappropriate use.

Weight Restrictions



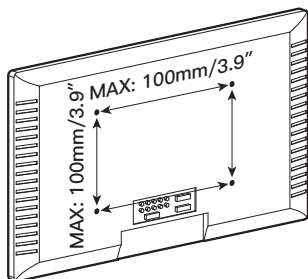
If your monitor weighs more, this mount is NOT compatible.



WARNING

DO NOT exceed the maximum weight indicated. This mounting system is intended for use only within the maximum weights indicated. Use with products heavier than the maximum weights indicated may result in failure of the mount and its accessories, causing possible damage and or injury.

Check the VESA Pattern of Your Monitor before You Begin the Installation



75 mm \approx 3"
100 mm \approx 3.9"

Minimum VESA pattern:
75mm/3" (W) x 75mm/3" (H)

If your Monitor VESA is greater than 100 x 100mm/3.9 x 3.9" or less than VESA 75 x 75mm/3 x 3", this mount is NOT compatible.

If this desk mount is NOT compatible, please contact customer service at support@huanuoav.com to find a compatible product.

Tool Need (Not Included)



Phillips Screwdriver



Drill (Optional)



1/2" (13mm) – 1" (25mm)
Drill Bit (Optional)



3/8" (10mm)
Wrench

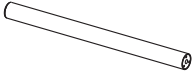
Supplied Parts and Hardware

⚠️WARNING: This product contains small items that may pose a choking hazard.

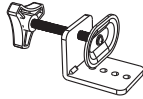
Before starting assembly, verify all parts are included and undamaged. Do not use damaged or defective parts. If you require replacement parts, please contact our customer service at support@huanuoav.com.

- PLEASE NOTE: Not all hardware included in this package will be used.

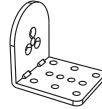
Supplied Parts and Hardware for Step 1



Pole
a (x 1)



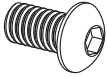
C Clamp Plate
b (x 1)



C Clamp Plate
c (x 1)



M5 x 14mm Bolt
f (x 3)



M8 x 12mm Bolt
g (x 2)



M10 Washer
k (x 1)



Spring Washer
l (x 1)



Grommet Plate
m (x 1)



Medium Allen Key
o1 (x 1)



Small Allen Key
o2 (x 1)

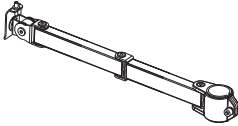


Bottom Pad
w1 (x 1)

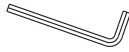


Bottom Pad
w2 (x 1)

Supplied Parts and Hardware for Step 2



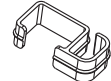
Swivel Arm
d (x 1)



Large Allen Key
o3 (x 1)

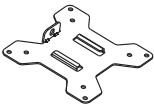


Wire Clip
n1 (x 1)

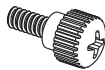


Wire Clip
n2 (x 2)

Supplied Parts and Hardware for Step 3



VESA Plate
e (x 1)



M4 x 12mm Thumb Bolt
q (x 4)



M4 x 30mm Bolt
r (x 4)



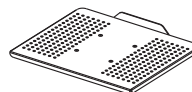
M4 Spacer
s (x 4)



M4 x 10mm Bolt
u (x 4)



M4 Nut
v (x 4)



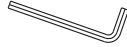
Laptop Tray
t (x 1)

Supplied Hardware for Step 4



Nut
h (x 1)

Supplied Hardware for Step 5

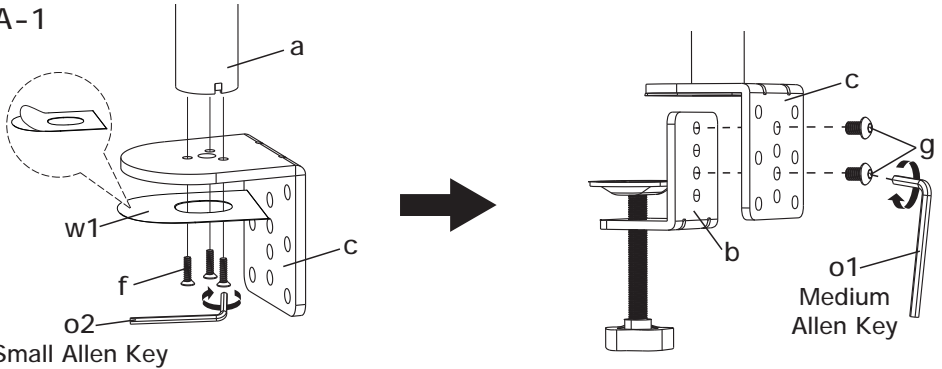


Medium Allen Key
o1 (x 1)

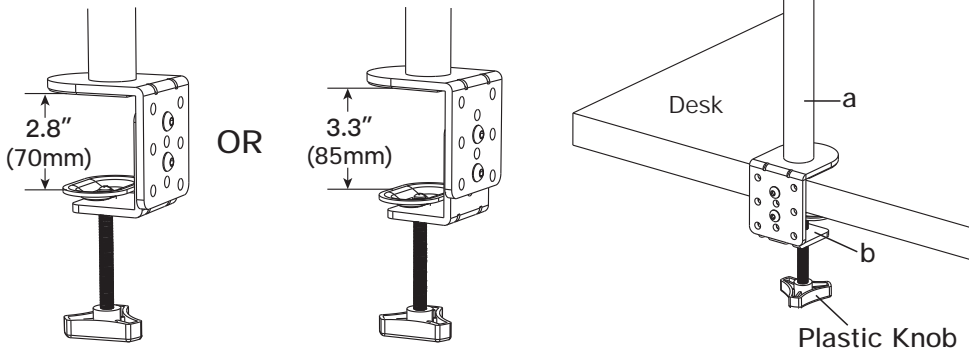
Step 1 Install the Pole to the Desktop

Option A: Desk Clamp Assembly

1A-1



1A-2

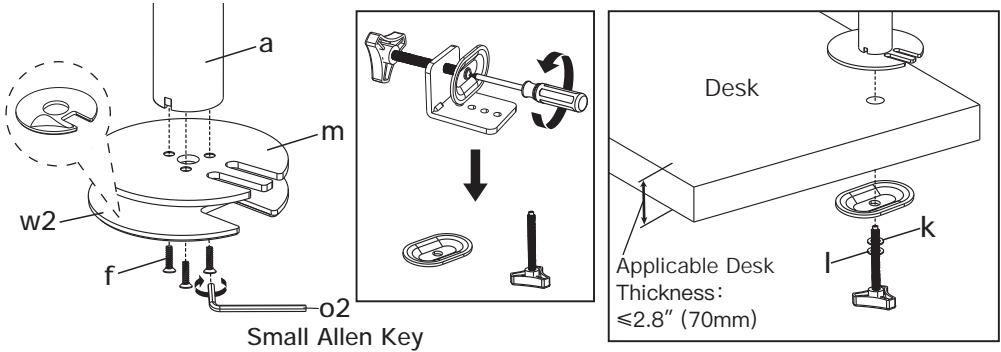


Option B: Grommet Base Assembly



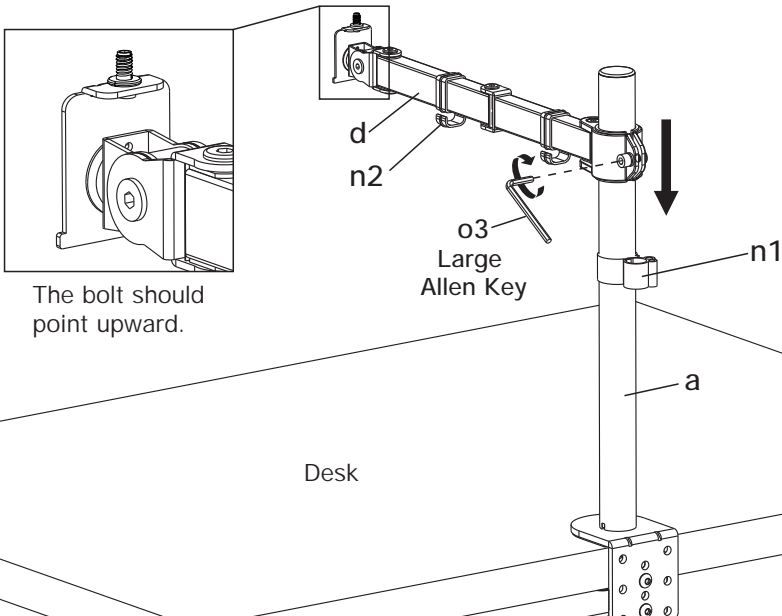
NOTE:

1. If the existing grommet hole comes with a plastic protector, remove it to ensure a flat surface before installing the desk mount.
2. If there is no grommet hole on your desk, position the pole (a) on the mounting surface and mark the hole. Drill a hole at the marked position through the mounting surface.



Step 2 Install Swivel Arm to the Pole

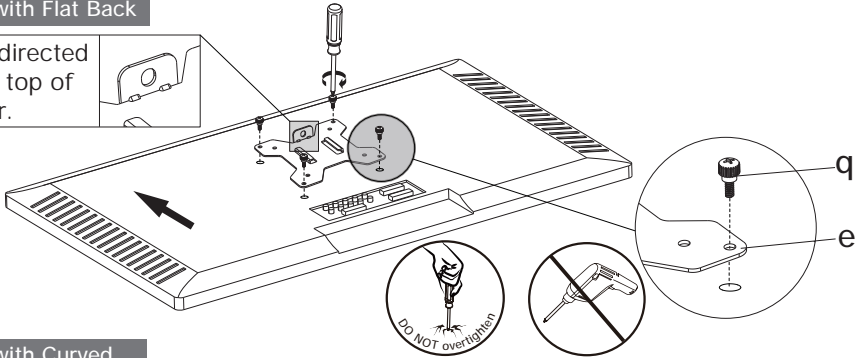
Install swivel arm (d) to the pole (a). Fasten the bolt with supplied Allen key (o3). Attach the wire clip (n1, n2) to the pole (a) and swivel arm (d).



Step 3 Attach the VESA Plate to the Laptop Tray or Monitor

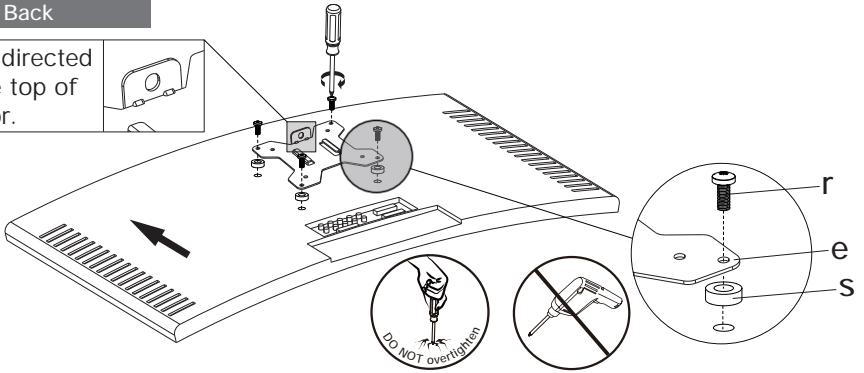
For Monitor with Flat Back

The tab is directed toward the top of the monitor.

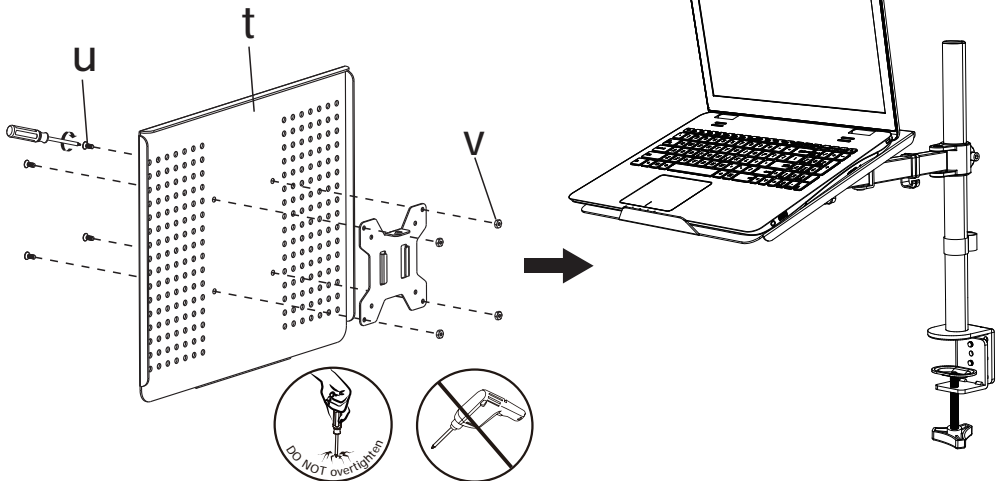


For Monitor with Curved or Recessed Back

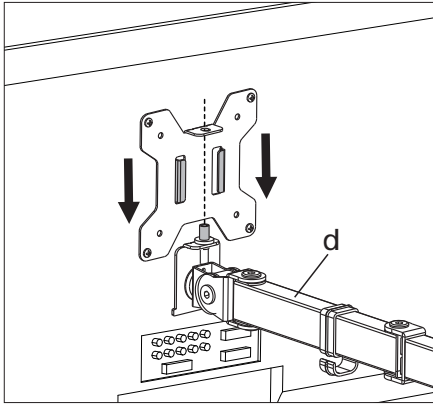
The tab is directed toward the top of the monitor.



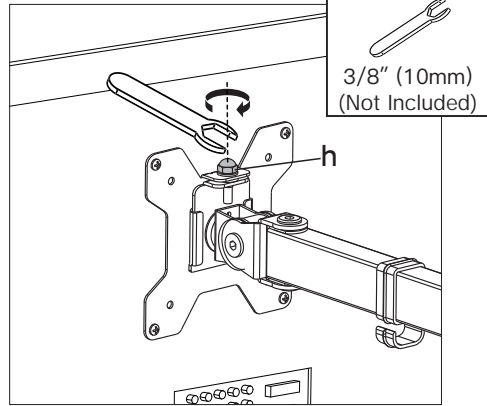
For Laptop



Step 4 Secure the Monitor or Laptop Tray onto the Head of Swivel Arm



4-1 Slide the monitor onto the head of swivel arm (d) as shown in the above diagram.



4-2 Secure the nut (h). Make sure the nut is installed before you rotate the monitor.

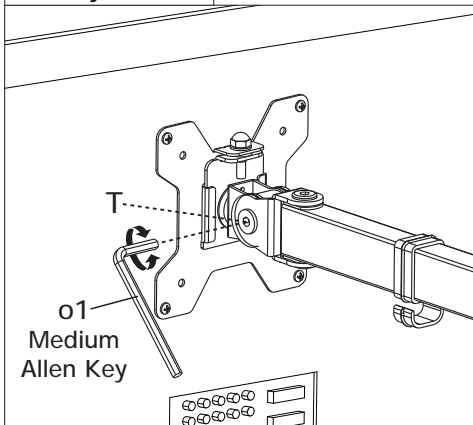


HEAVY! You may need assistance with this step.

NOTE: Please refer the procedures 4-1 and 4-2 to install the laptop tray (t) with VESA plate (e) onto the head of swivel arm.

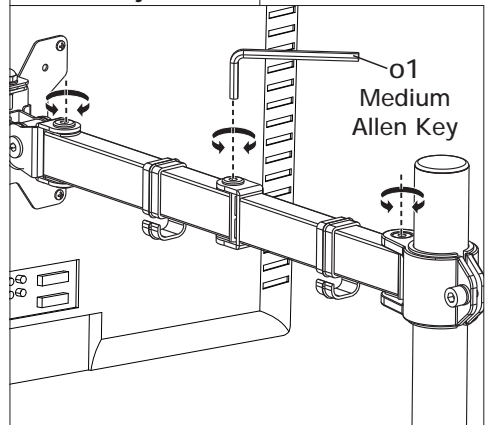
Step 5 Adjust the Tilt and Swivel Angle

Tilt Adjustment



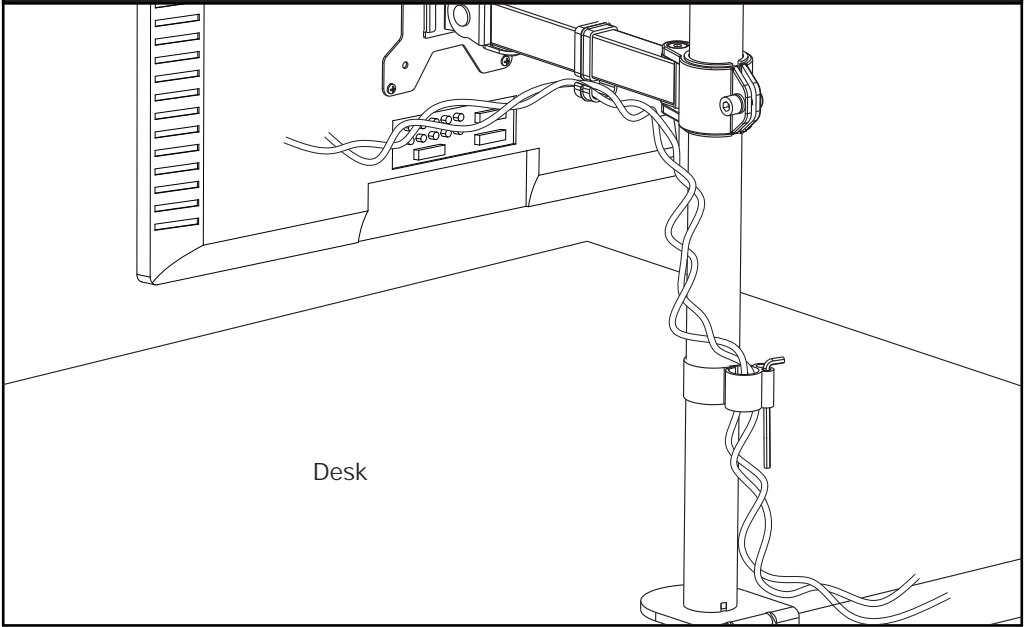
1. Directly tilt your monitor to your desired angle. If it is difficult to tilt the monitor, for better tilting it, you can slightly loosen the bolt using Allen key (o1).
2. Tighten the bolt (T) to hold the monitor in place.

Swivel Adjustment



1. Directly swivel your monitor to your desired angle. If it is difficult to swivel the monitor, for better swiveling it, you can slightly loosen the bolts using Allen key (o1).
2. Tighten the bolts to hold the monitor in place.

Step 6 Manage the Wires and Store the Allen Keys on Wire Clip



Step 7 Rotation Restriction

WARNING: Be careful not to extend the monitor behind the mount or too forward. Ensure that the arm are balanced to maintain center of gravity of the base. Instability may cause the unit to tip over.

