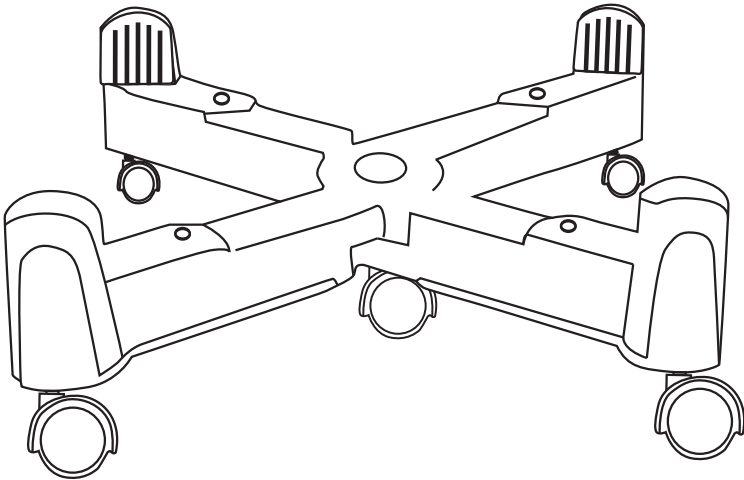


HUANUO

Mobile PC Stand Instruction Manual

V4.0(A)



Model: HNCPB2

Thank you for choosing this HUANUO product! At HUANUO we strive to provide you with the best quality products and services in the industry.

Should you have any issues, please don't hesitate to contact us at

Technical Support:

(US/CA)1-800-556-0533 Mon-Fri 8am - 8pm(CST)

(UK)44-808-196-3874 Mon-Fri 2pm - 10pm(UTC)

Other Info:

support@huanuoav.com

Website: www.huanuoav.com

Supplied Hardware/Matériel fourni

A



X4

B



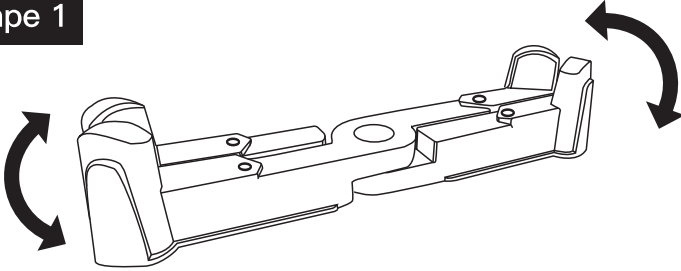
X4

C



X5

step 1/Étape 1



step 2/Étape 2

