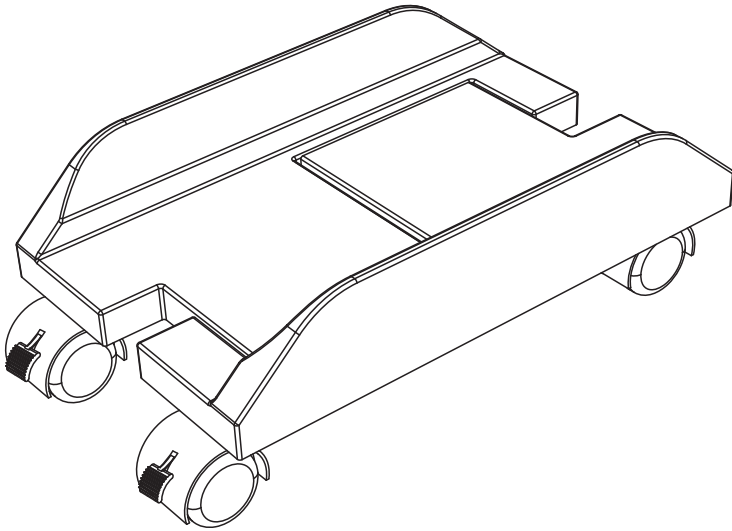


# HUANUO

## CPU Holder Instruction Manual

V2.0



**Model: HNCPB4**

Thank you for choosing this HUANUO product! At HUANUO we strive to provide you with the best quality products and services in the industry. Should you have any issues, please don't hesitate to contact us at

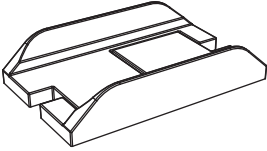
**Technical Support:**

1-800-556-0533 Mon-Fri 8am – 8pm (CST)

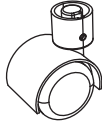
**Other Info:**

support@huanuoav.com (US/CA)

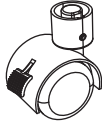
# Supplied Parts



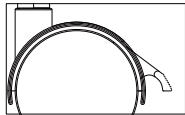
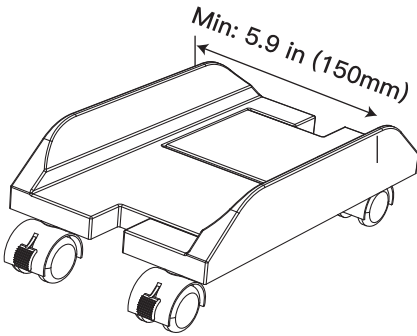
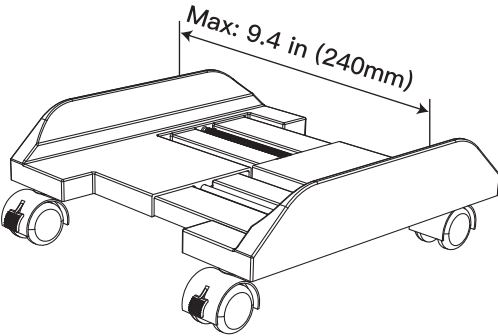
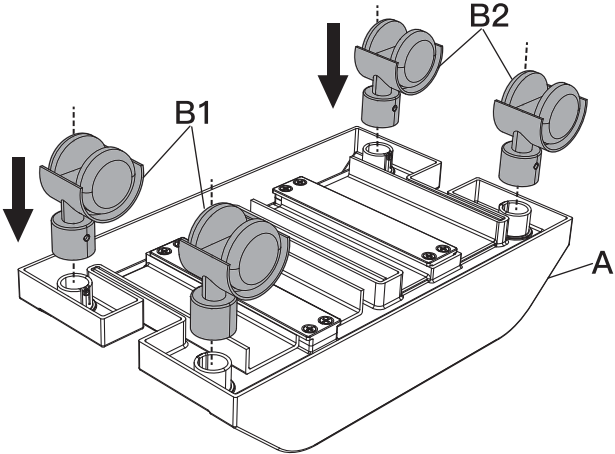
A x1



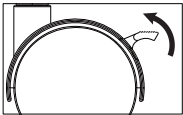
B1 X2



B2 X2



Lock



Unlock