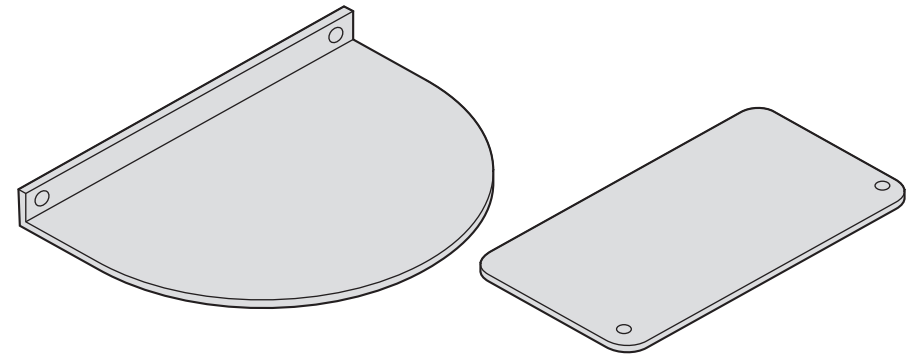
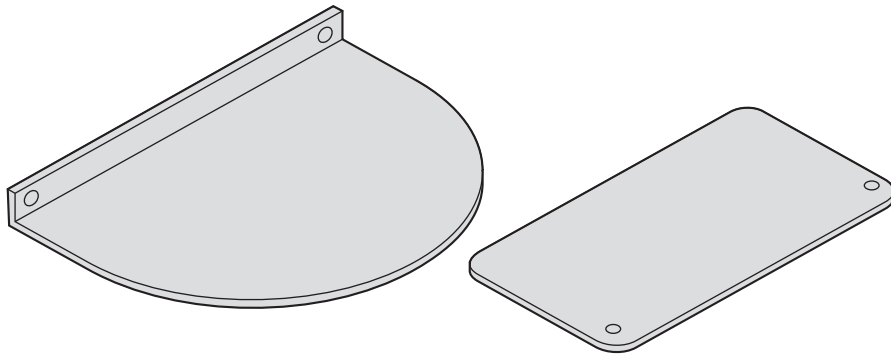


Thank you again for  
choosing this HUANUO product!

## Monitor Arm Reinforcement Plate Instruction Manual

V4.0 (A)



**Model: HNDA1**

All of us at HUANUO do appreciate your product purchase. We hope that you are as happy with your product as we designing and manufacturing it for you. We strive to provide you with the best quality products and services in the industry. If you have any questions please don't hesitate to contact us at

**Technical Support:**

(US/CA) 1-800-556-0533 Mon-Fri 8am - 8pm (CST)

(UK) 44-808-196-3874 Mon-Fri 2pm - 10pm (UTC)

**Other Info:**

support@huanuoav.com (US/CA)

support\_eu@huanuoav.com (DE/UK/FR/IT/ES/NL/SE/AU/PL)

support\_jp@huanuoav.com (JP)

Thank you for choosing this HUANUO product! At HUANUO we strive to provide you with the best quality products and services in the industry. Should you have any issues, please don't hesitate to contact us at

**Technical Support:**

(US/CA) 1-800-556-0533 Mon-Fri 8am - 8pm (CST)

(UK) 44-808-196-3874 Mon-Fri 2pm - 10pm (UTC)

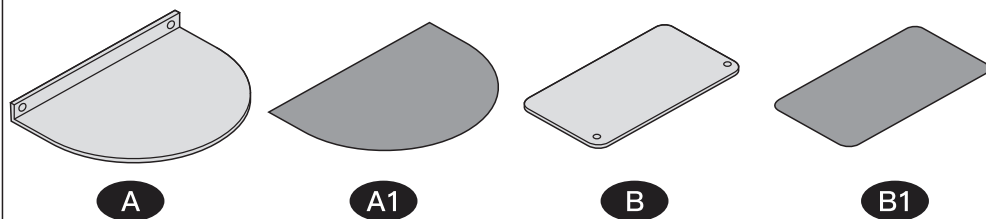
**Other Info:**

support@huanuoav.com (US/CA)

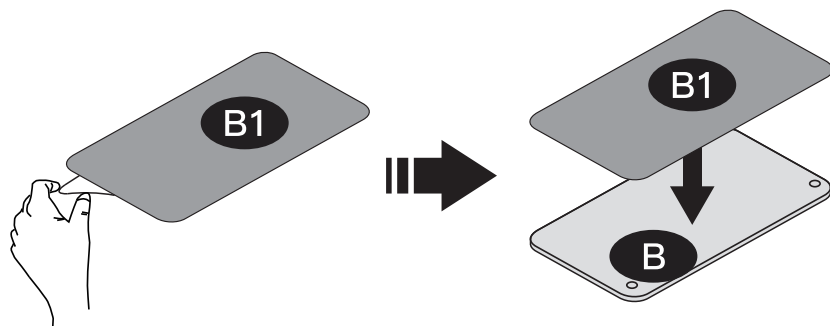
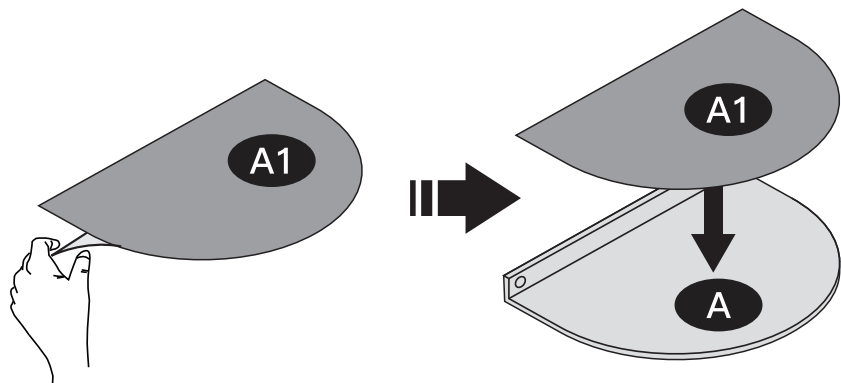
support\_eu@huanuoav.com (DE/UK/FR/IT/ES/NL/SE/AU/PL)

support\_jp@huanuoav.com (JP)

## Supplied Parts

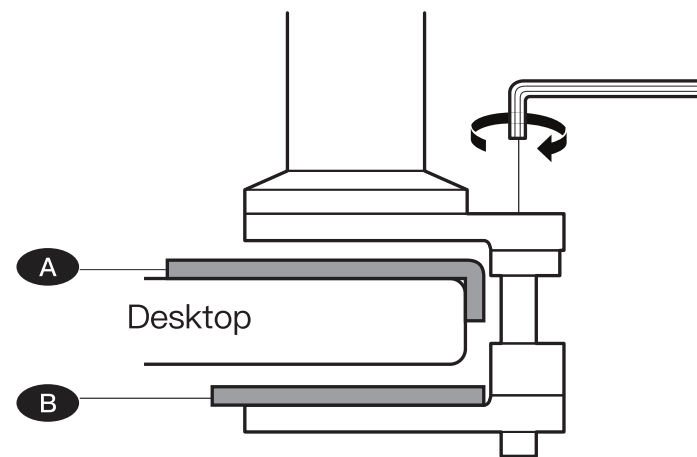
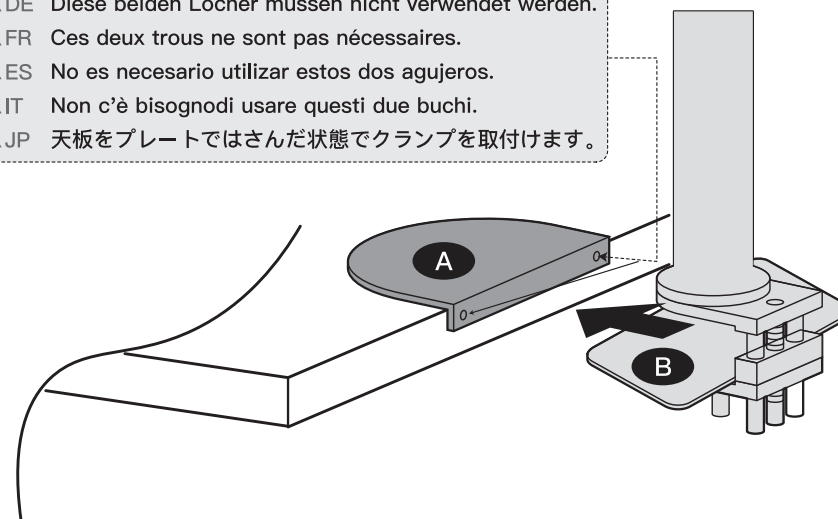


1



2

- ▲EN These two holes do not need to be used.
- ▲DE Diese beiden Löcher müssen nicht verwendet werden.
- ▲FR Ces deux trous ne sont pas nécessaires.
- ▲ES No es necesario utilizar estos dos agujeros.
- ▲IT Non c'è bisogno di usare questi due buchi.
- ▲JP 天板をプレートではさんだ状態でクランプを取付けます。



- ▲EN Plate (A) can be used on or under the desktop.
- ▲DE Platte (A) kann auf oder unter dem Desktop verwendet werden.
- ▲FR La plaque (A) peut être utilisée sur ou sous le bureau.
- ▲ES La placa (A) se puede usar sobre o debajo del escritorio.
- ▲IT La piastra (A) può essere utilizzata sopra o sotto il desktop.
- ▲JP 上側がプレート(B)で下側がプレート(A)でも取付け可能です。