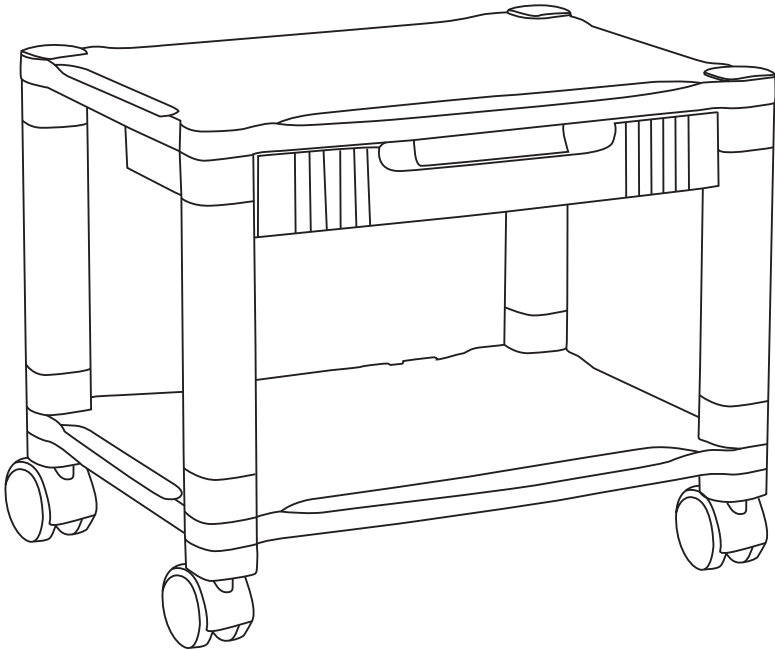


HUANUO

Printer Stand Instruction Manual

V4.0



Model: HNDPS

Thank you for choosing this HUANUO product! At HUANUO we strive to provide you with the best quality products and services in the industry. Should you have any issues, please don't hesitate to contact us at

Technical Support:

1-800-556-0533 Mon-Fri 8am - 8pm (CST)

Other Info:

support@huanuoav.com (US/CA)

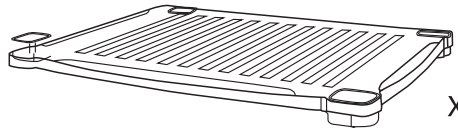
Supplied Parts



X4



X8



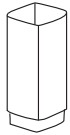
X1



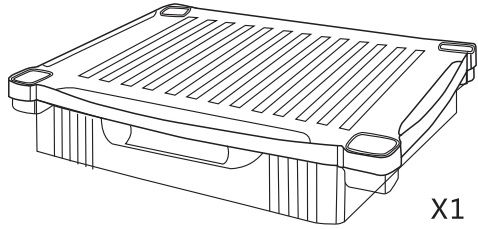
X4



X4

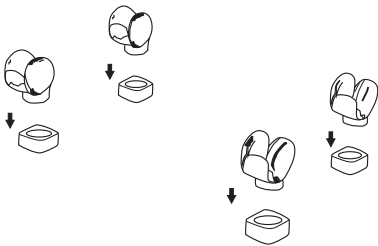


X4

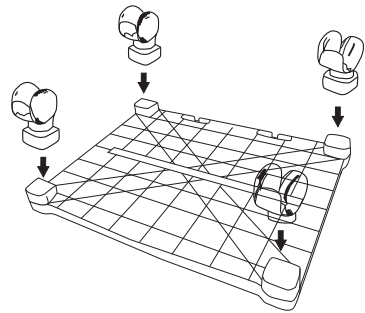


X1

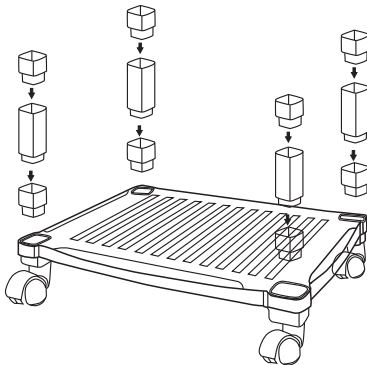
STEP 1



STEP 2



STEP 3



STEP 4

