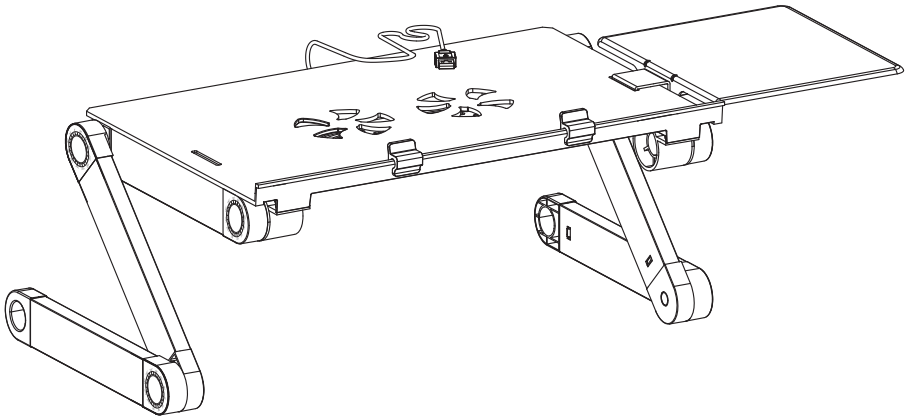


# HUANUO

## Adjustable Laptop Stand Instruction Manual

V1.0 (B)



**Model: HNLA6**



Website:  
[www.huanuoav.com](http://www.huanuoav.com)

Thank you for choosing this HUANUO product! At HUANUO we strive to provide you with the best quality products and services in the industry. Please share your experience of our product with others at [www.huanuoav.com/reviews](http://www.huanuoav.com/reviews) if you are satisfied. Should you have any issues, please don't hesitate to contact us at

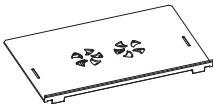
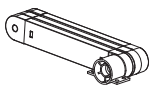
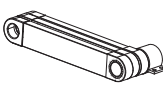
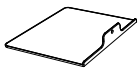
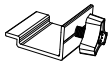



**Technical Support:**

1-800-556-0533 Mon-Fri 8am – 8pm (PST) (USA) (CAN)

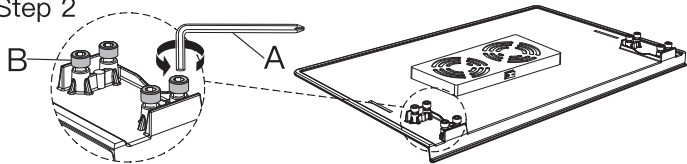
**Other Info:**

[support@huanuoav.com](mailto:support@huanuoav.com) (US/CA)

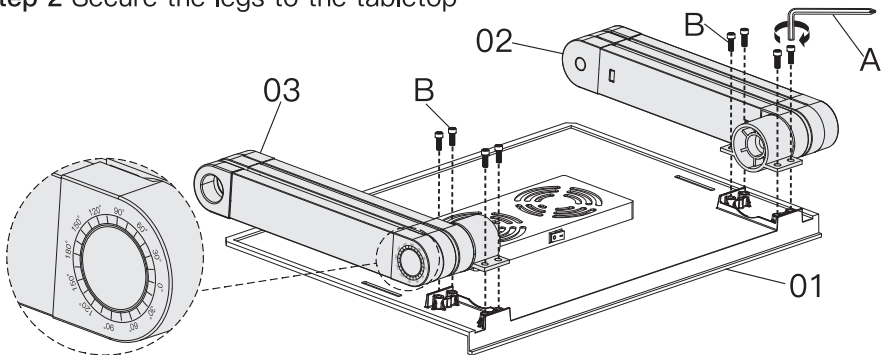
## Supplied Parts and Hardware

 <p>01 Laptop Tray x1</p>	 <p>02 Left Leg x1</p>	 <p>03 Right Leg x1</p>	 <p>04 Mouse Tray x1</p>
 <p>05 Knob x1</p>	 <p>06 Edge Stopper x2</p>	 <p>07 Cable x1</p>	 <p>A 13/64in. (5mm) Allen Key x1</p>

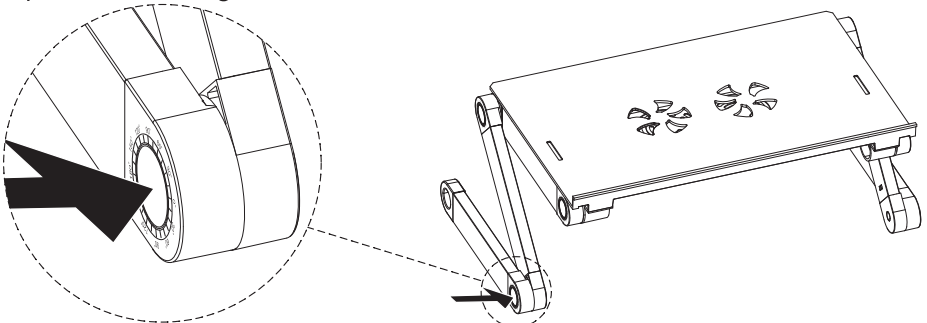
Step 1 Loosen the preassembled bolt [B] with Allen Key [A] and keep them for the use of Step 2



Step 2 Secure the legs to the tabletop

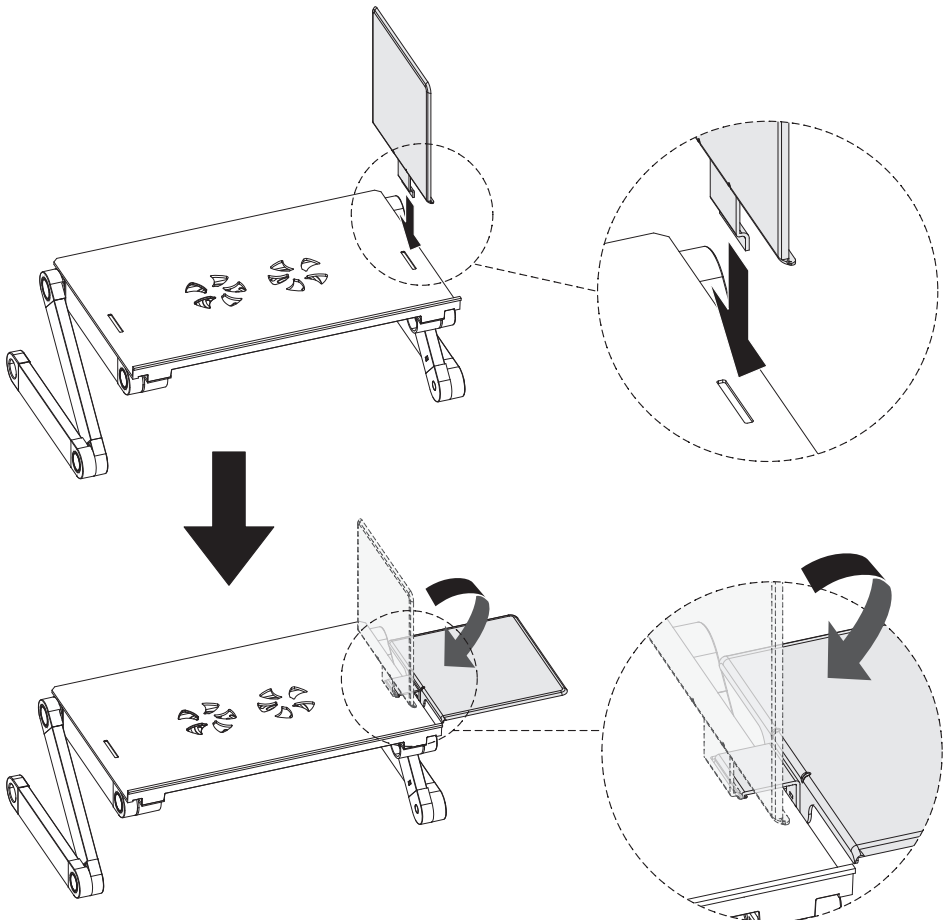
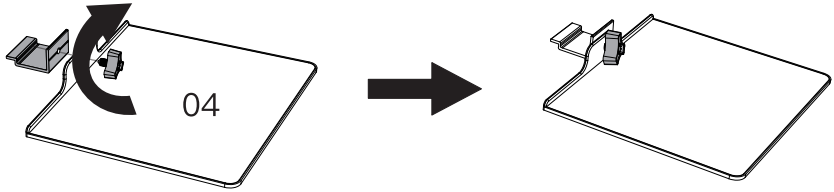
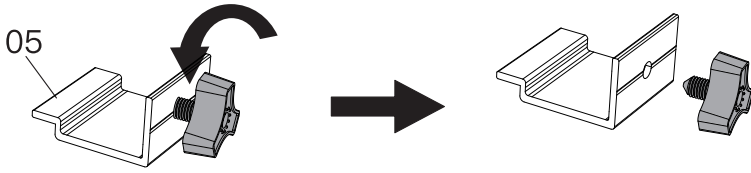


Step 3 Press and hold the button on the joint of the leg then rotate the leg to your desired angle.

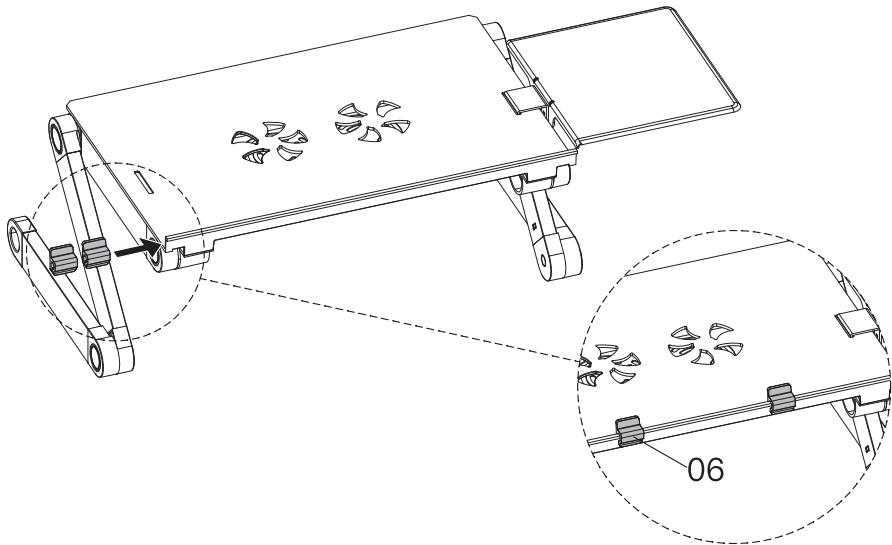


**Note:** Please refer to the procedures in page 4 for more details.  
The angles of the two legs must be the same.

Step 4 Secure the mouse tray to the side of laptop tray



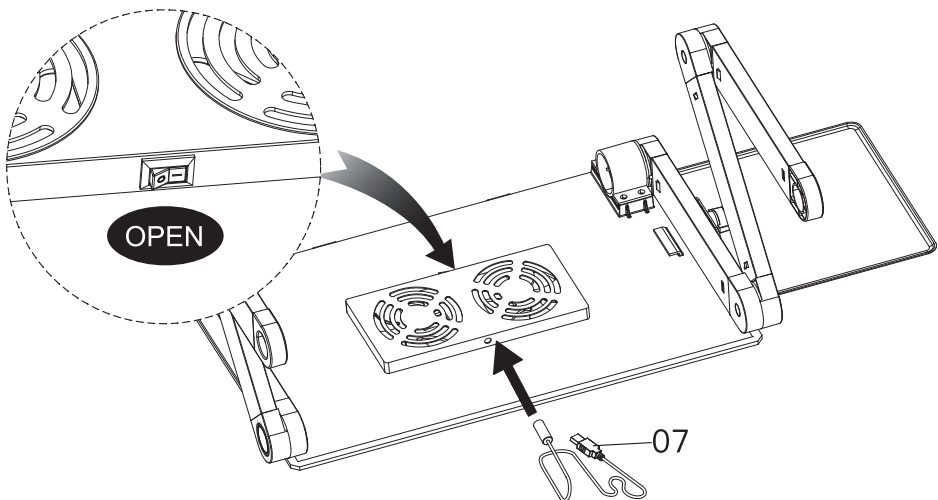
**Step 5** Secure the edge stoppers to the front lip of the laptop tray.



## How to Use the Cooling Fan

Connect the USB end of the cable to your laptop, then connect the other end of the cable to the port of the cooling fan.

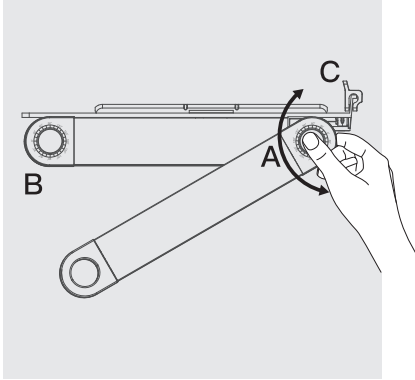
Turn on the switch when use the cooling fan.



# HOW TO ADJUST THIS LAPTOP STAND AND MAKE IT EASY?

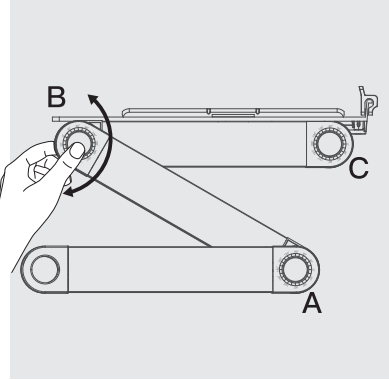
- You only need to adjust the laptop stand legs as shown in the images below.
- To make the adjustment much easier, we provide some popular positions angle setting, please choose the perfect one for your need.

**Note:** Kindly note that the two legs should be set in the same angle.



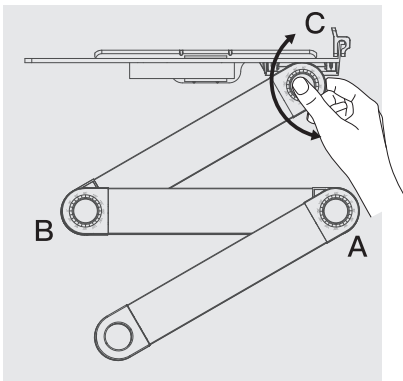
## Step ①

1. Press button A
2. Set angle
3. Release



## Step ②

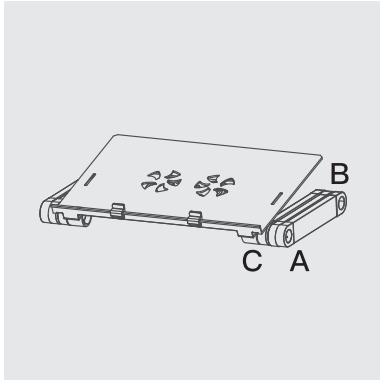
1. Press button B
2. Set angle
3. Release



## Step ③

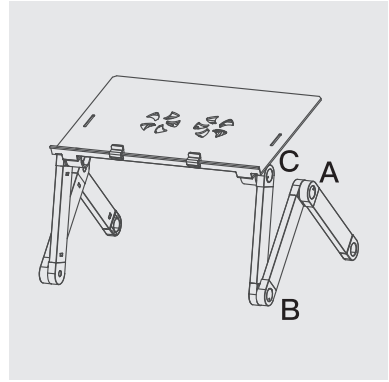
1. Press button C
2. Set angle
3. Release

## Popular Positions



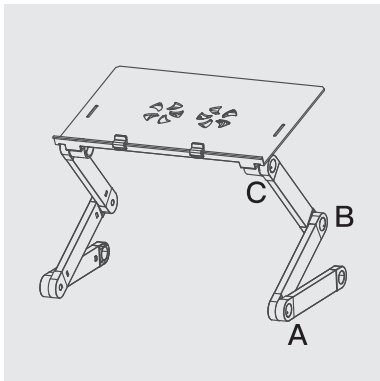
### Desk Laptop Stand

- A.  $0^{\circ}$
- B.  $0^{\circ}$
- C.  $15^{\circ}$



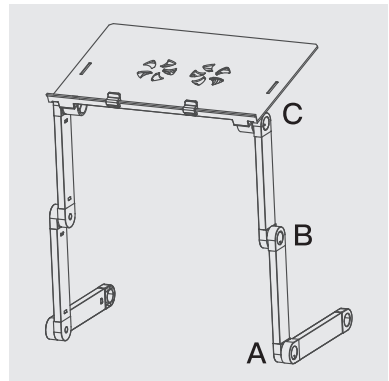
### Bed Lap Desk

- A.  $90^{\circ}$
- B.  $30^{\circ}$
- C.  $120^{\circ}$



### Sofa Tablet Stand

- A.  $30^{\circ}$
- B.  $75^{\circ}$
- C.  $60^{\circ}$



### Standing Desk for Work

- A.  $90^{\circ}$
- B.  $180^{\circ}$
- C.  $105^{\circ}$