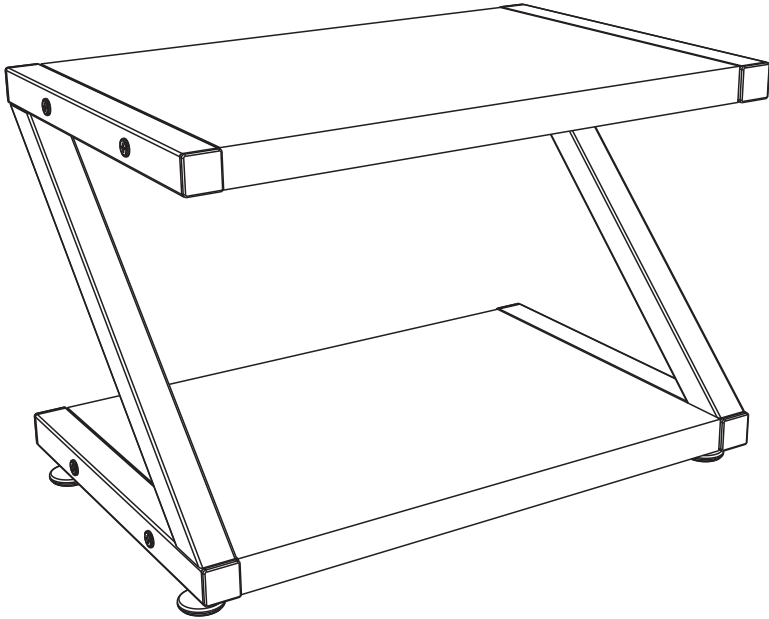


HUANUO

Printer Stand Instruction Manual

(B)



Model: HNWPS/HNWPSD

Thank you for choosing this HUANUO product! At HUANUO we strive to provide you with the best quality products and services in the industry.

Should you have any issues, please don't hesitate to contact us at
Technical Support:

(US/CA)1-800-556-0533 Mon-Fri 8am - 8pm(CST)

(UK)44-808-196-3874 Mon-Fri 2pm - 10pm(UTC)

Other Info:

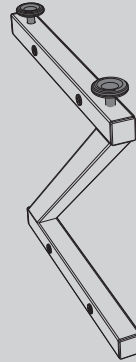
support@huanuoav.com

Website: www.huanuoav.com

Supplied Parts and Hardware



Panel
A (x2)

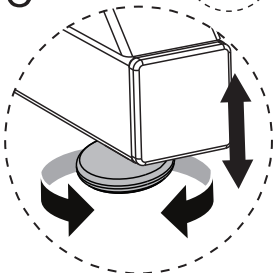
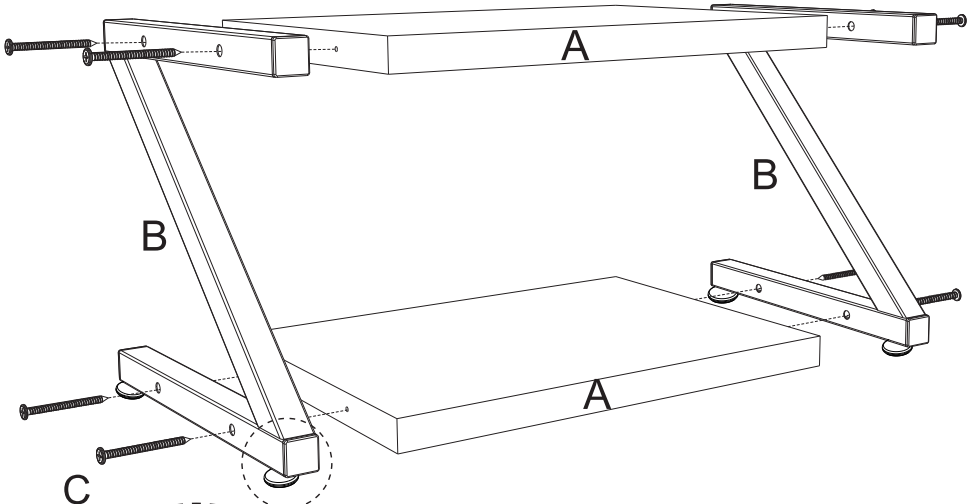


Leg
B (x2)

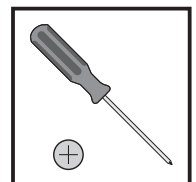


Screw
C (x8)

Secure the two legs [B] to the two panels [A] using screws [C]



NOTE: If the unit is unlevel on a flat surface, you can adjust the leveler for leveling.



[Not Included]